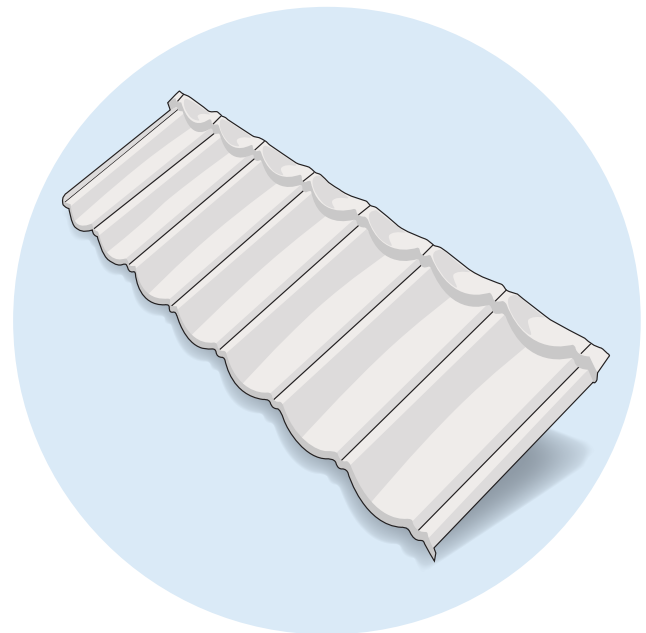


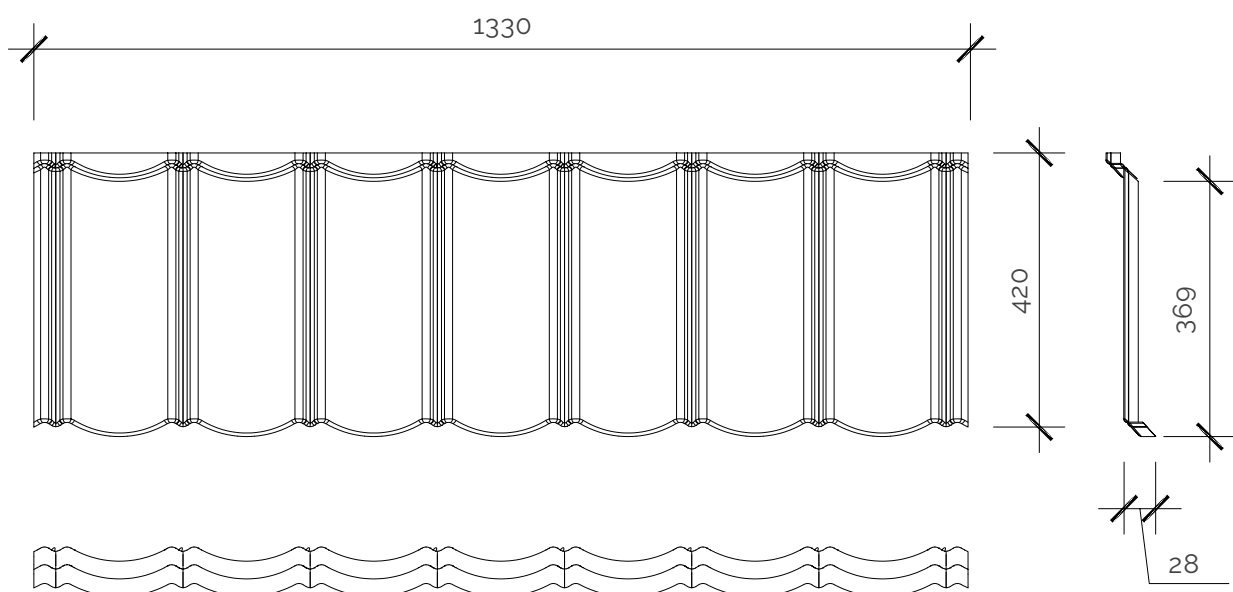
# Gerard Colortile

## Specific Installation Instructions

|                      |                          |
|----------------------|--------------------------|
| Roof pitch           | 12-90°                   |
| Overall length       | 1330 mm                  |
| Length of cover      | 1257 mm                  |
| Width of cover       | 369 mm                   |
| Upstand              | 28 mm                    |
| Roof cover/panel     | 0.46 m <sup>2</sup>      |
| Coverage             | 2.2 panel/m <sup>2</sup> |
| Textured unit weight | 2.9 kg                   |
| Satin unit weight    | 2.1 kg                   |

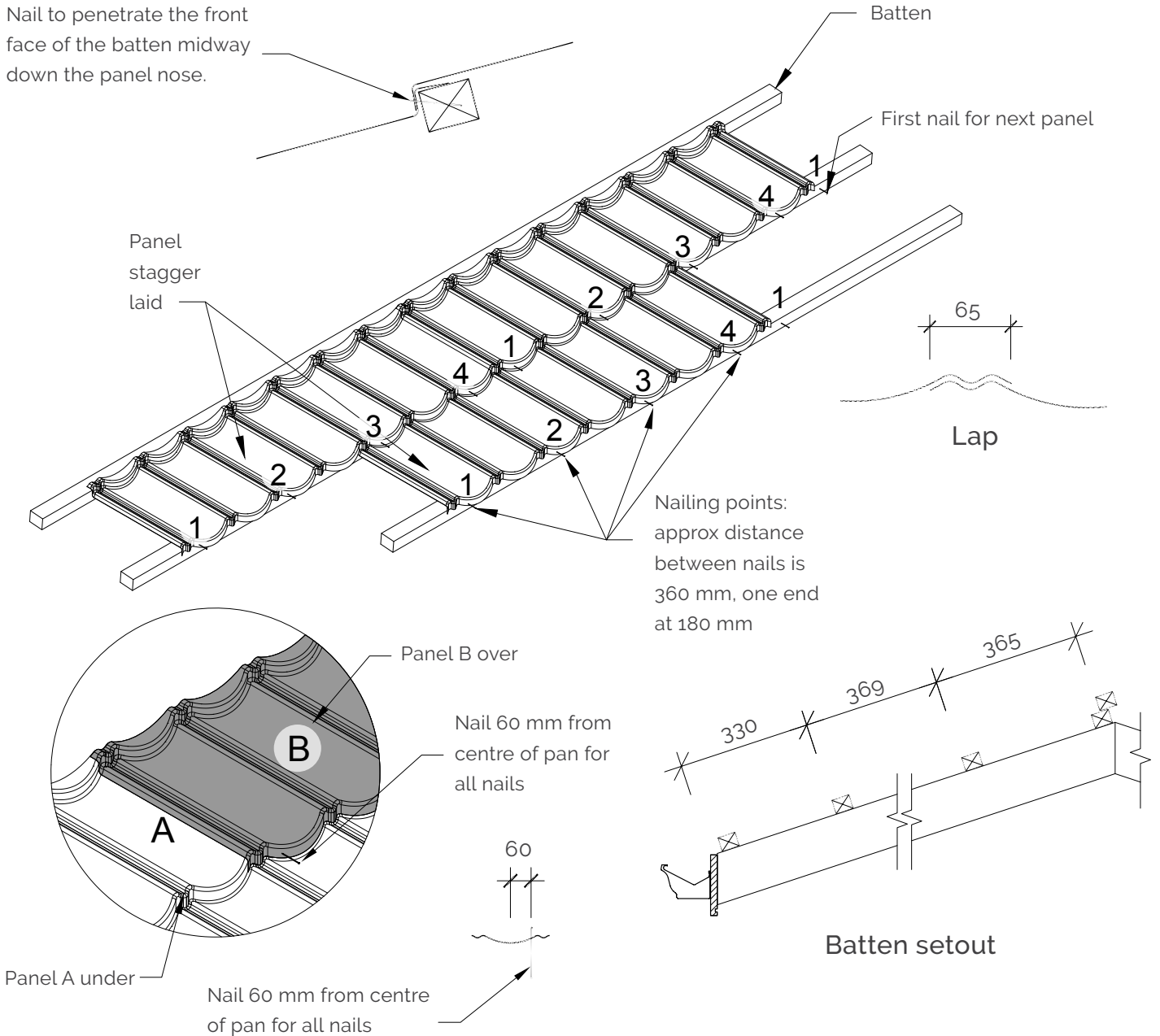


*Dimensions and weights given are nominal.*



The worry-proof roof.®

# Gerard Colortile Installation – Nailing Position



## Fixing

- The nose of each panel is held down at 5 points.
- This comprises 4 nails as per the diagrams plus the nailed overlap panel.

## Fastening Panels in Cyclone Areas

- Where a building has been designed outside the scope of NZS 3604. Panels on buildings with a wind load design of above 3.8 kPa should be fastened at approx 160 mm spacing (each module).