

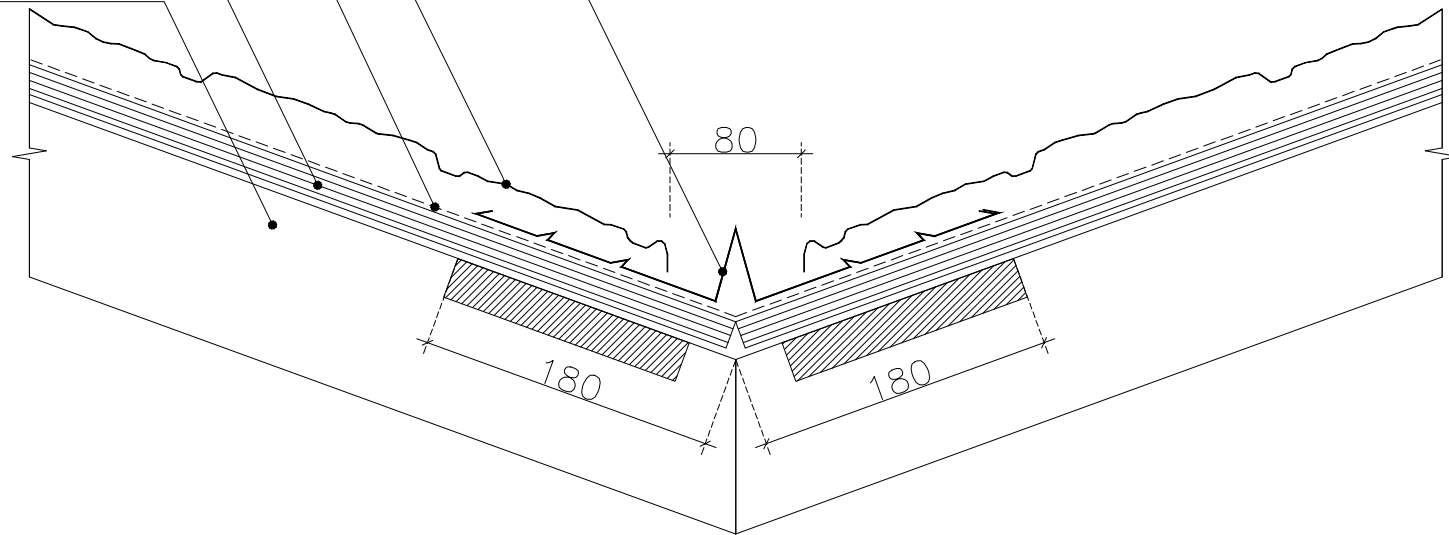
906 CF Valley
Tray Flashing

CF Shake

Roofing Underlay
(Separating Plywood
and Tiles)

15mm min. thk
Structural Plywood

Rafter



CF SHAKE VALLEY DETAIL (906 CF VALLEY) ON PLYWOOD

© 2020 Terms of Use Disclaimer: This information is intended solely as a guide for the use of Gerard Roofs products. Before using you should ensure that the product is suitable for use in the specific application. Nothing in this information constitutes a statement of fitness for particular purpose and appropriate expert advice is to always be obtained. Gerard Roofs makes no warranty regarding the use of this information with non - Gerard Roofs products. This drawing is the property of Gerard Roofs. It cannot be copied in any form and must be returned to Gerard Roofs upon request. All Details are to be used for indicative purposes only.
All dimensions in millimeters.

Date: June 2025

Version: 01

Scale: N.T.S.

Code:

NZ: gerardroofs.co.nz
customerservice@gerardroofs.co.nz

AUS: gerardroofs.com.au
info@gerardroofs.com.au

CFSKP_307E_TD_R01_06_2025