



BOND TILE

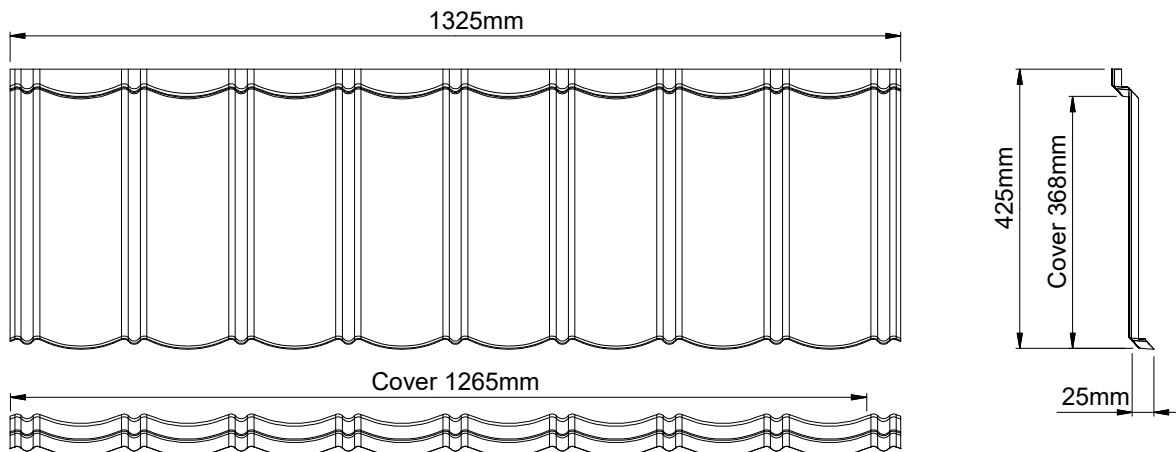
Product Specification Detail On Battens

Date: 2024

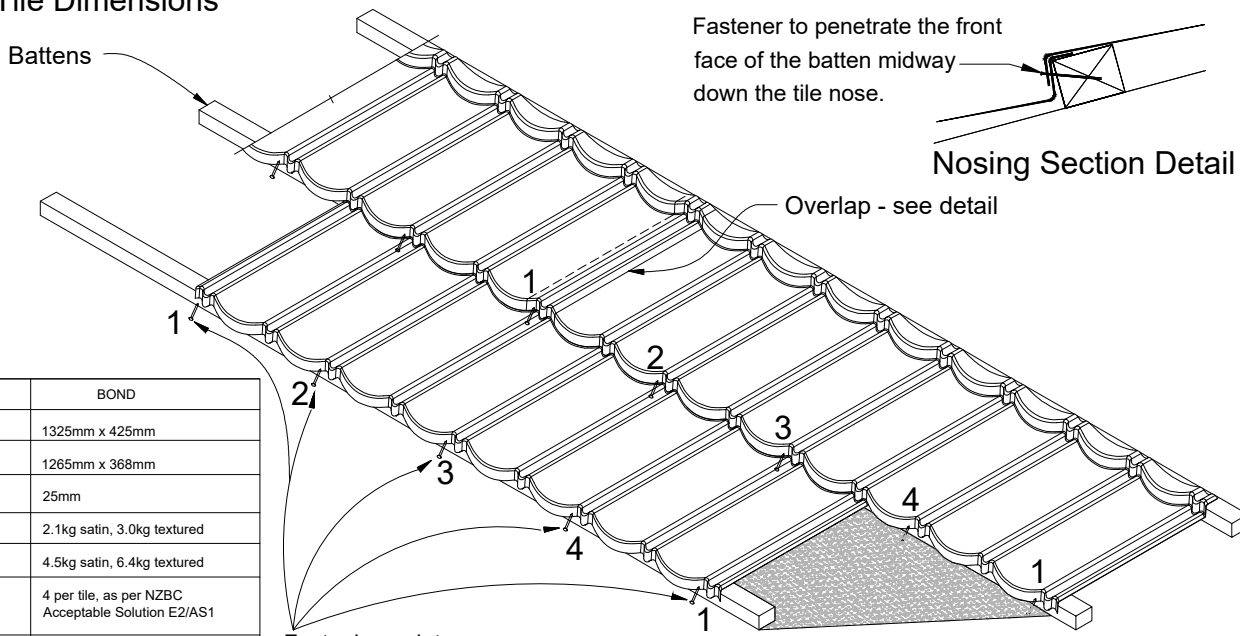
NZ: gerardroofs.co.nz
customerservice@gerardroofs.co.nz

Code:
SFBDB_200A_PD_R01_01_2024

AUS: gerardroofs.com.au
info@gerardroofs.com.au



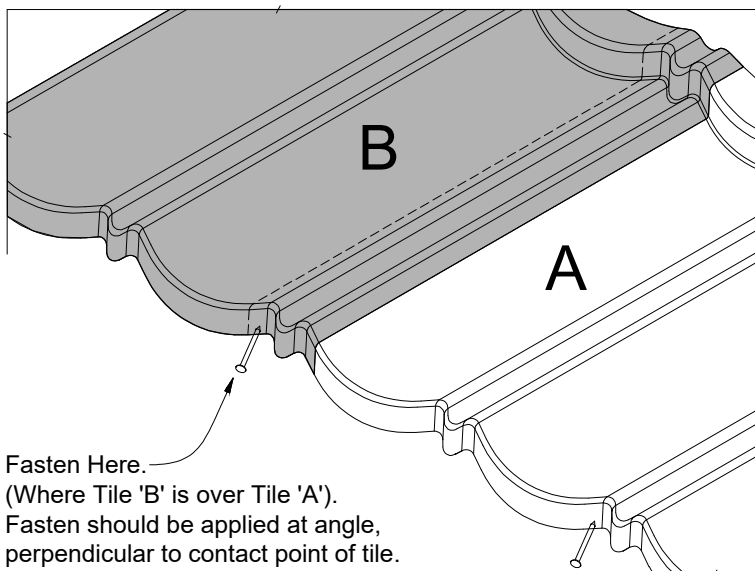
Tile Dimensions



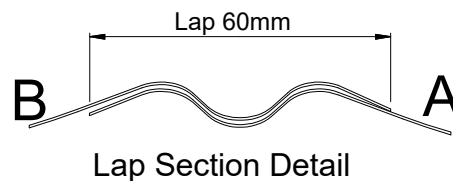
PROFILE	BOND
Dimensions (lxw)	1325mm x 425mm
Effective coverage (lxw)	1265mm x 368mm
Profile height	25mm
Weight / tile (kg)	2.1kg satin, 3.0kg textured
Weight / m ² (kg)	4.5kg satin, 6.4kg textured
Tile fastener in wind zones up to and including extra high	4 per tile, as per NZBC Acceptable Solution E2/AS1
Min roof pitch	12°
Roof cover/ tile effective coverage area	0.46m ²

Fastening points:
approx distance
between fasteners is
320mm

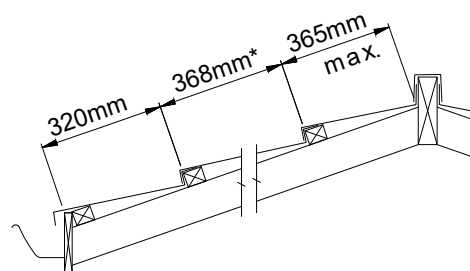
Fastening Detail



Overlap Detail



Lap Section Detail



Batten Layout

*Batten set out is 368mm for textured tiles and 370mm for satin tiles