

CLASSIC TILE

Product Specification Detail

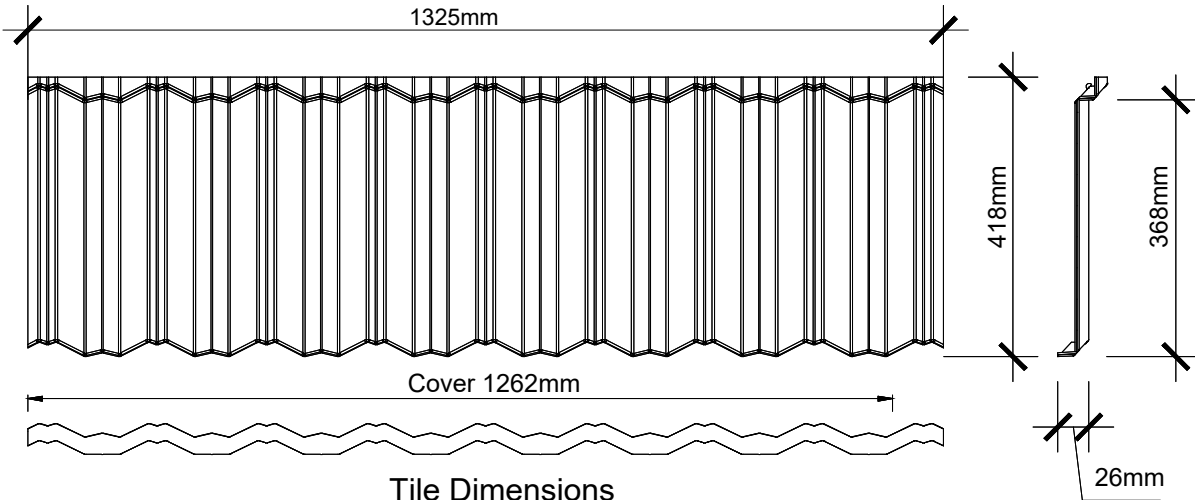
On Battens

Date: 2024

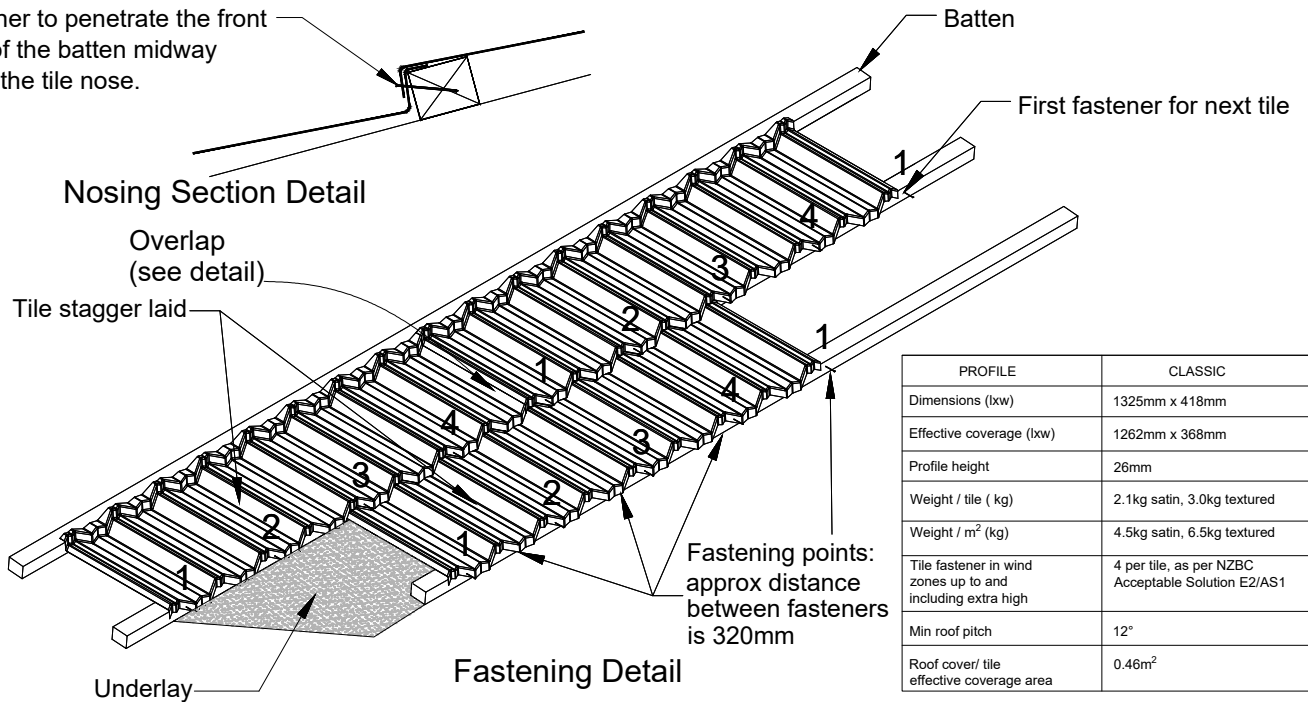
NZ: gerardroofs.co.nz
customerservice@gerardroofs.co.nz

Code: SFCLB_200A_PD_R01_01_2024

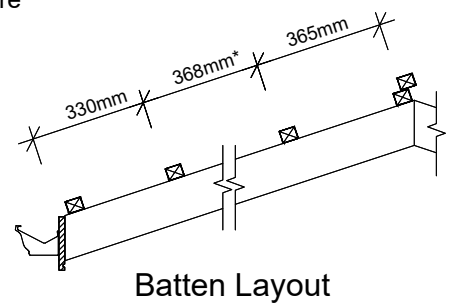
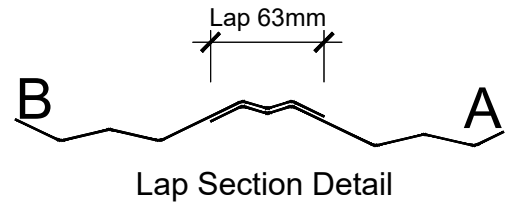
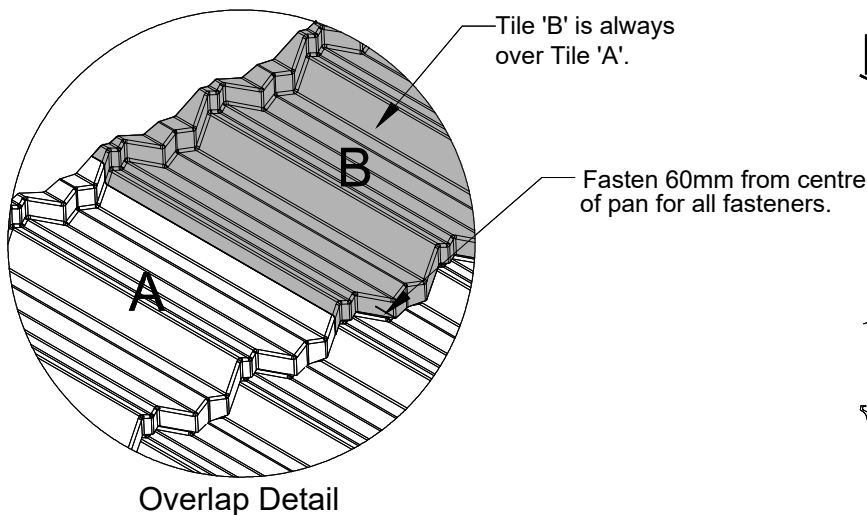
AUS: gerardroofs.com.au
info@gerardroofs.com.au



Fastener to penetrate the front face of the batten midway down the tile nose.



PROFILE	CLASSIC
Dimensions (l x w)	1325mm x 418mm
Effective coverage (l x w)	1262mm x 368mm
Profile height	26mm
Weight / tile (kg)	2.1kg satin, 3.0kg textured
Weight / m ² (kg)	4.5kg satin, 6.5kg textured
Tile fastener in wind zones up to and including extra high	4 per tile, as per NZBC Acceptable Solution E2/AS1
Min roof pitch	12°
Roof cover/ tile effective coverage area	0.46m ²



*Batten set out is 368mm for textured tiles and 370mm for satin tiles