



CF SLATE PANEL

Product Specification Detail

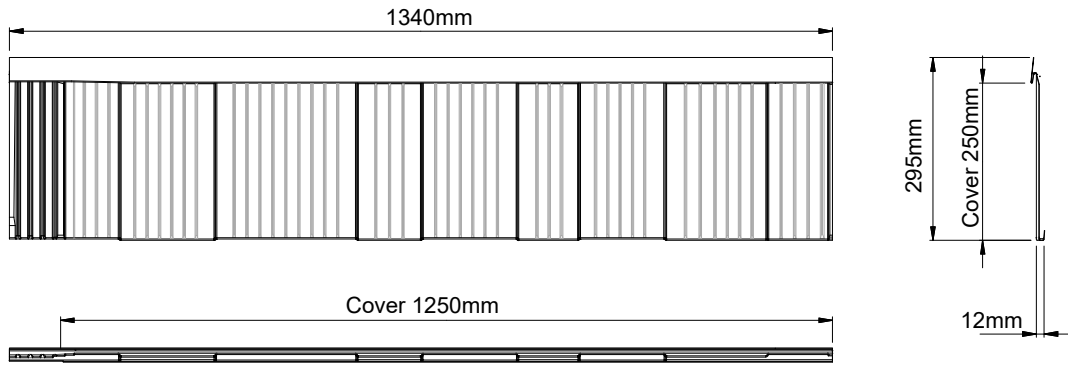
On Plywood Substrate

Date: 2024

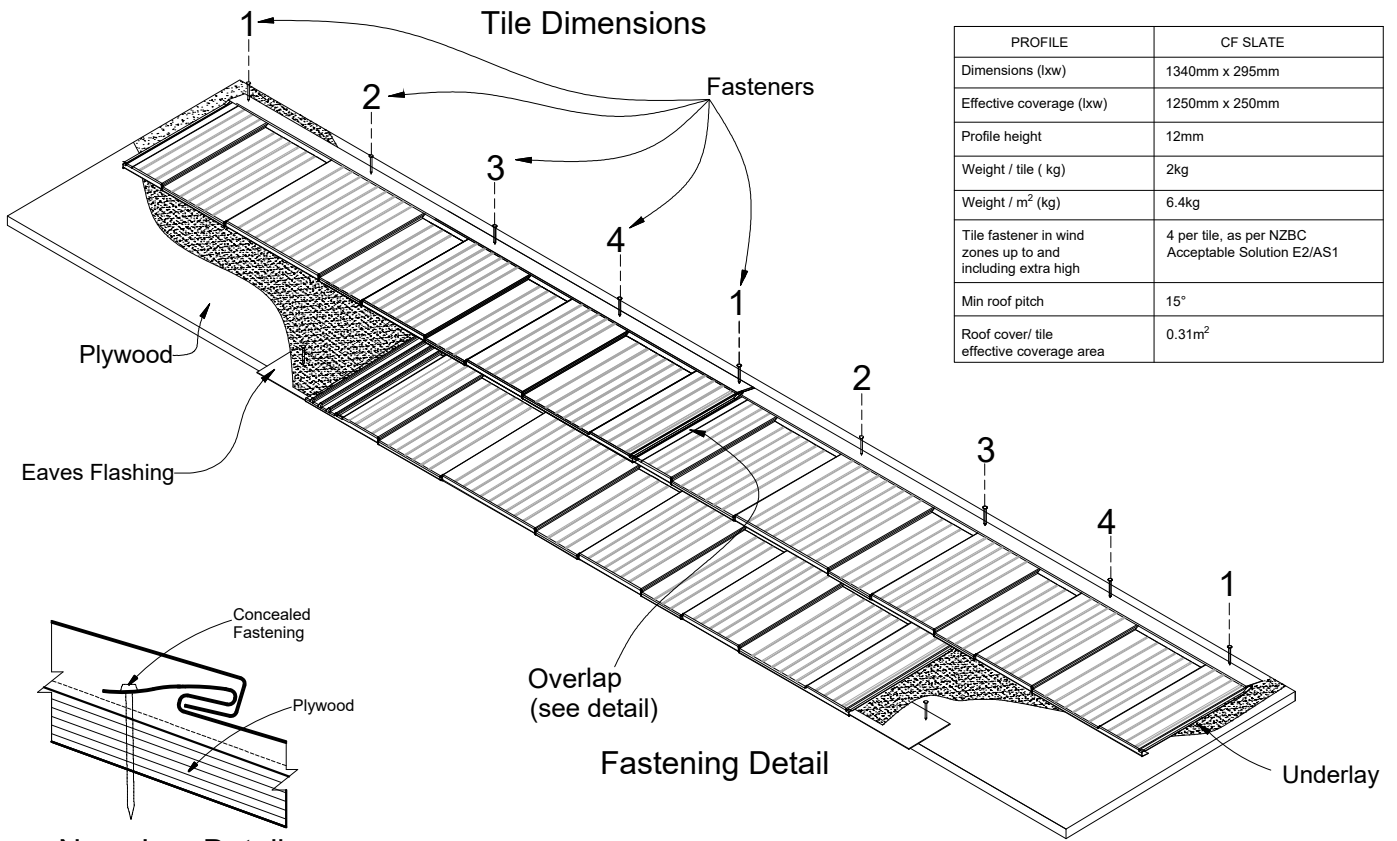
NZ: gerardroofs.co.nz
customerservice@gerardroofs.co.nz

Code:
CFSLP_200A_PD_R01_01_2024

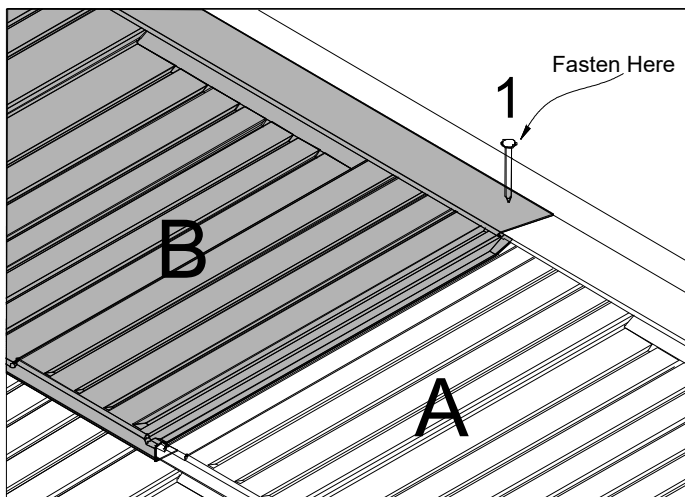
AUS: gerardroofs.com.au
info@gerardroofs.com.au



PROFILE	CF SLATE
Dimensions (lxw)	1340mm x 295mm
Effective coverage (lxw)	1250mm x 250mm
Profile height	12mm
Weight / tile (kg)	2kg
Weight / m ² (kg)	6.4kg
Tile fastener in wind zones up to and including extra high	4 per tile, as per NZBC Acceptable Solution E2/AS1
Min roof pitch	15°
Roof cover/ tile effective coverage area	0.31m ²

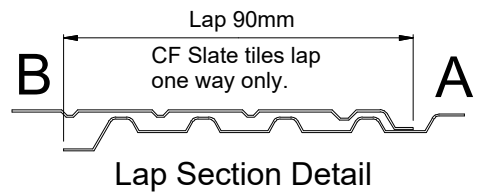


Nose Lap Detail

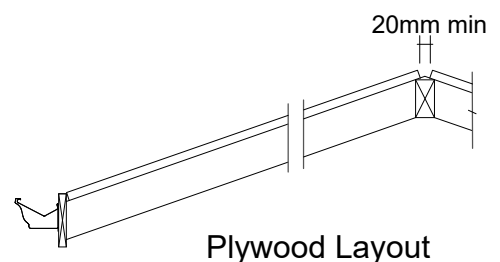


Tile 'B' is always over Tile 'A'.

Overlap Detail



Lap Section Detail



Plywood Layout