

SHAKE TILE

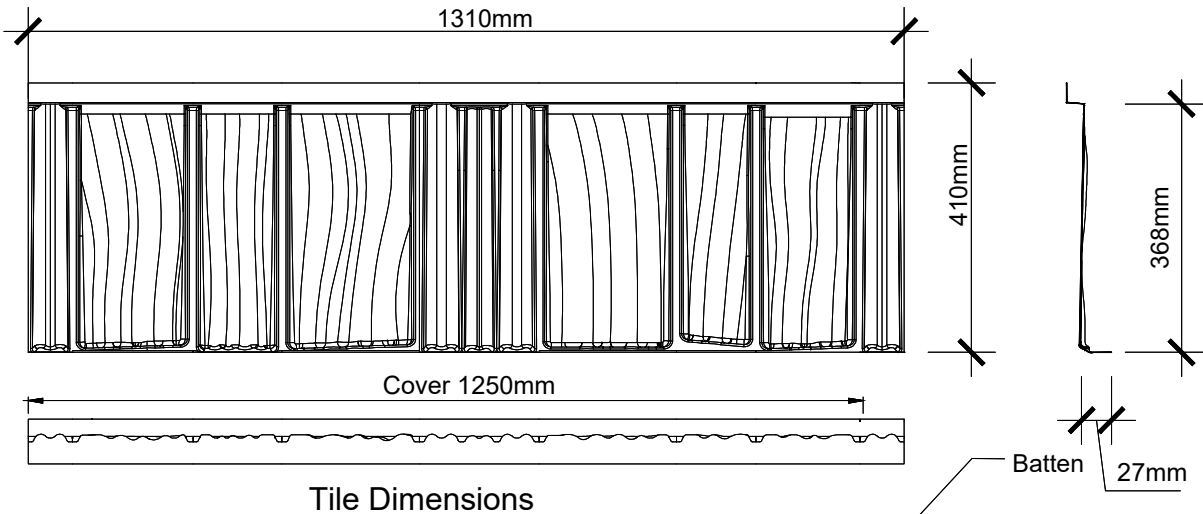
Product Specification Detail On Battens

Date: 2024

NZ: gerardroofs.co.nz
customerservice@gerardroofs.co.nz

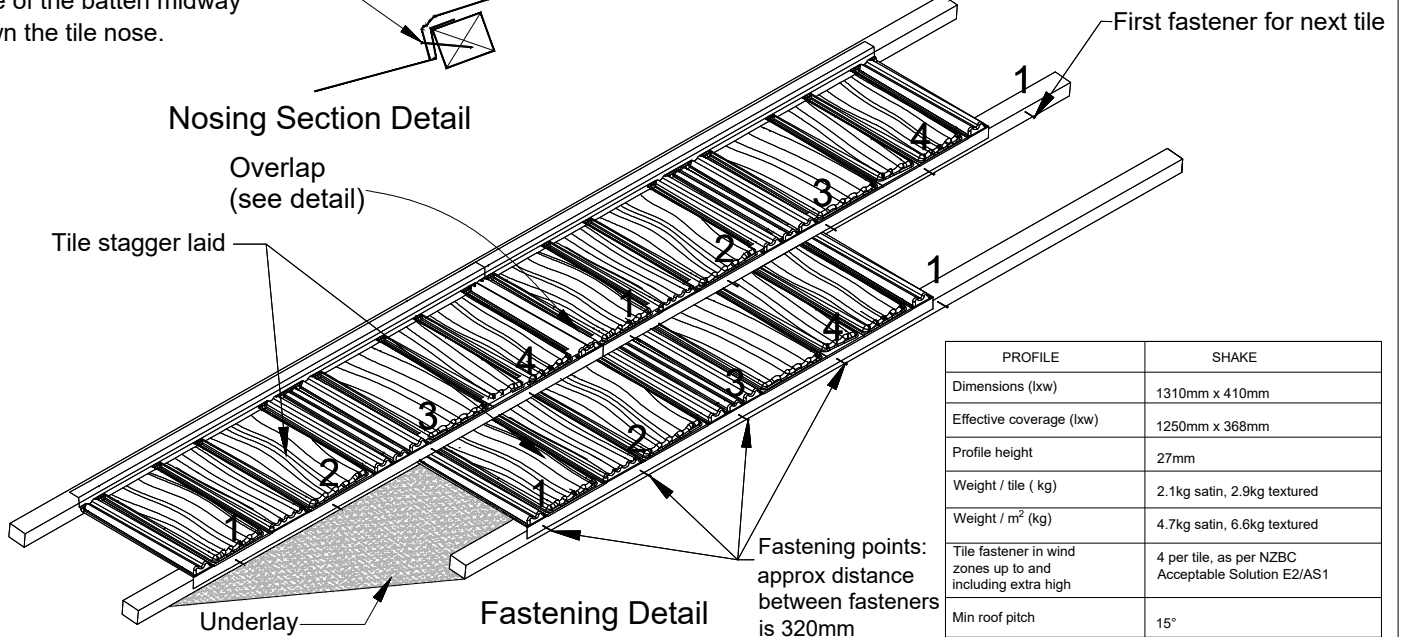
Code:
SFSKB_200A_PD_R01_01_2024

AUS: gerardroofs.com.au
info@gerardroofs.com.au

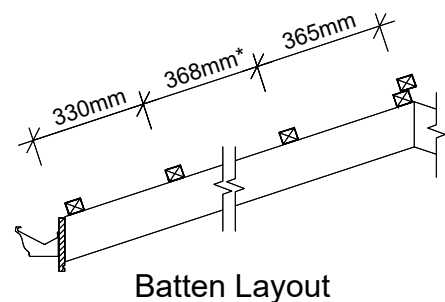
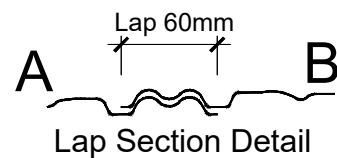
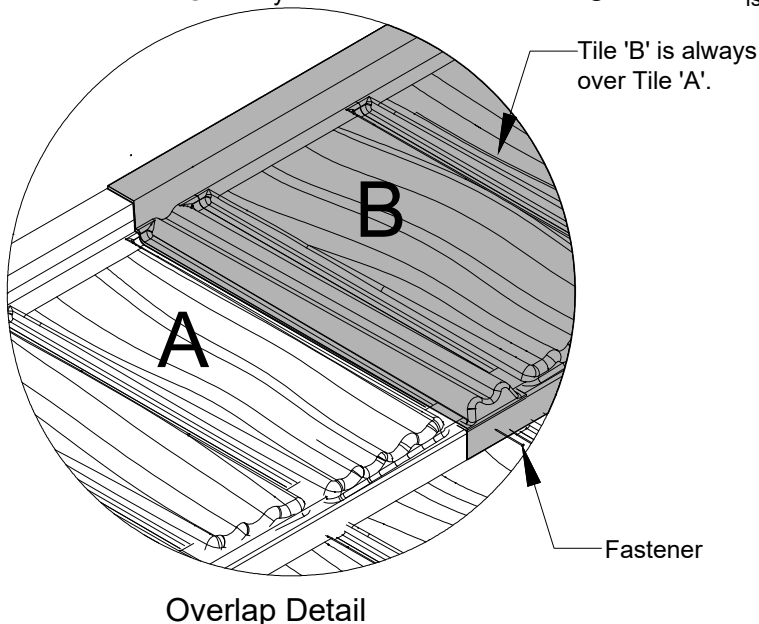


Fastener to penetrate the front face of the batten midway down the tile nose.

Nosing Section Detail



PROFILE	SHAKE
Dimensions (l x w)	1310mm x 410mm
Effective coverage (l x w)	1250mm x 368mm
Profile height	27mm
Weight / tile (kg)	2.1kg satin, 2.9kg textured
Weight / m ² (kg)	4.7kg satin, 6.6kg textured
Tile fastener in wind zones up to and including extra high	4 per tile, as per NZBC Acceptable Solution E2/AS1
Min roof pitch	15°
Roof cover/ tile effective coverage area	0.46m ²



*Batten set out is 368mm for textured tiles and 370mm for satin tiles