

SENATOR TILE

Product Specification Detail

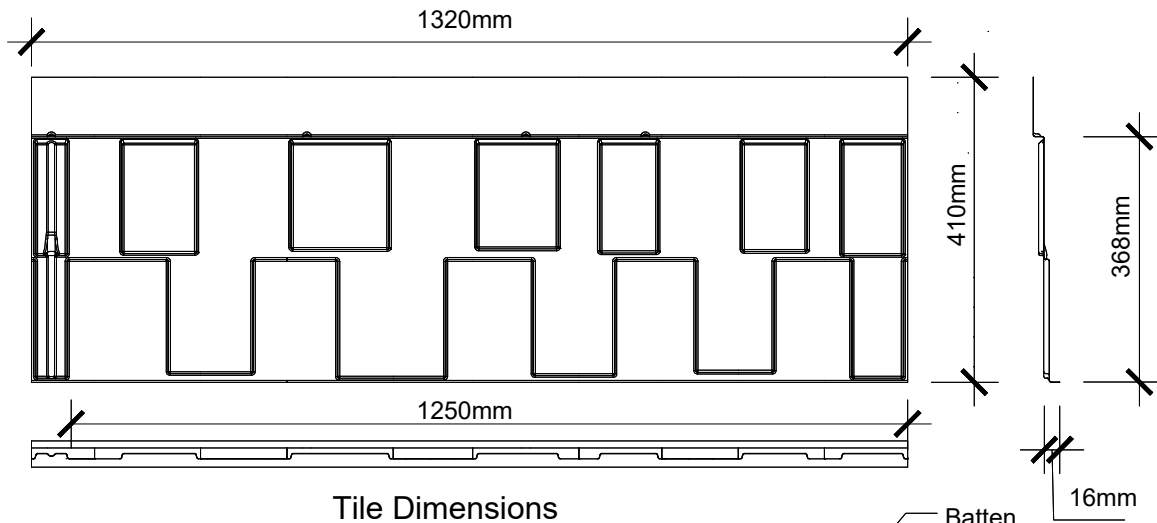
On Battens

Date: 2024

NZ: gerardroofs.co.nz
customerservice@gerardroofs.co.nz

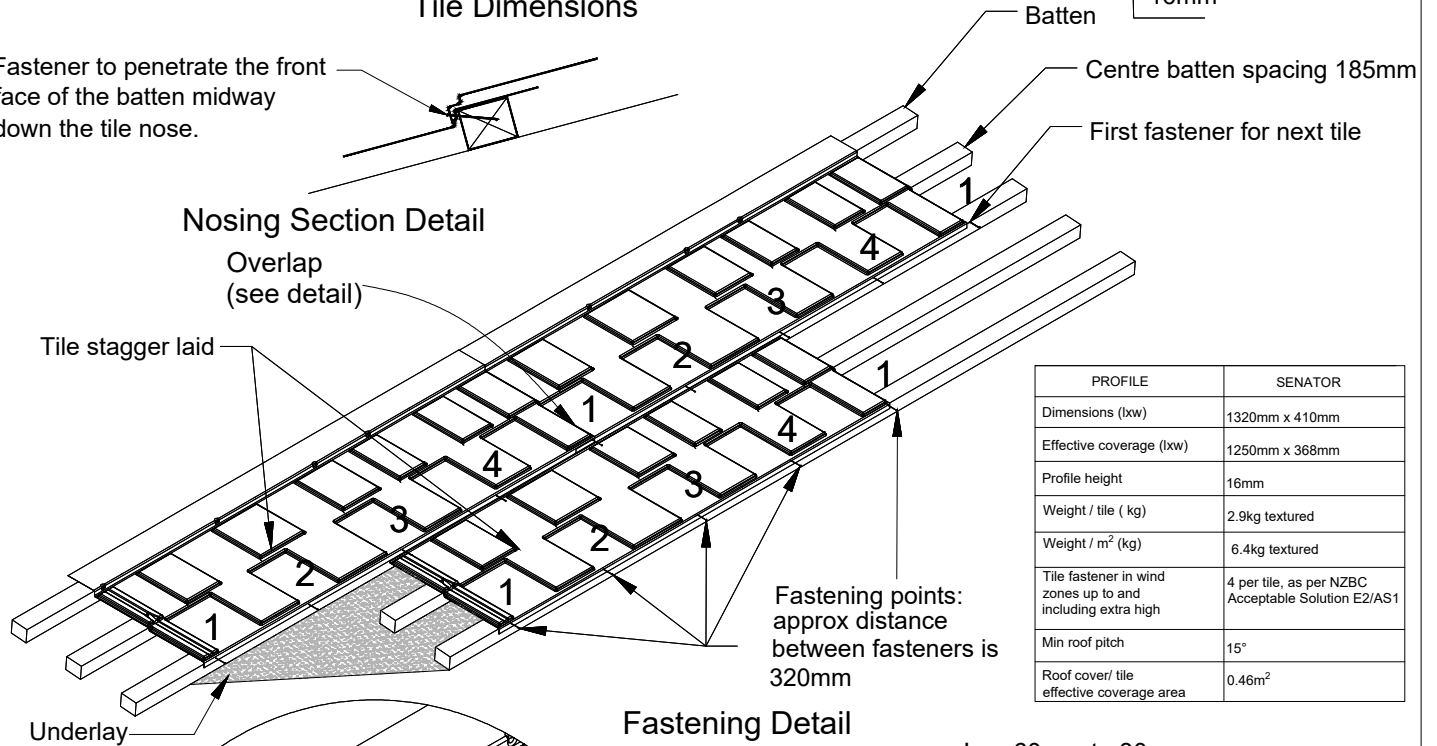
Code:
SFSEB_200A_PD_R01_01_2024

AUS: gerardroofs.com.au
info@gerardroofs.com.au



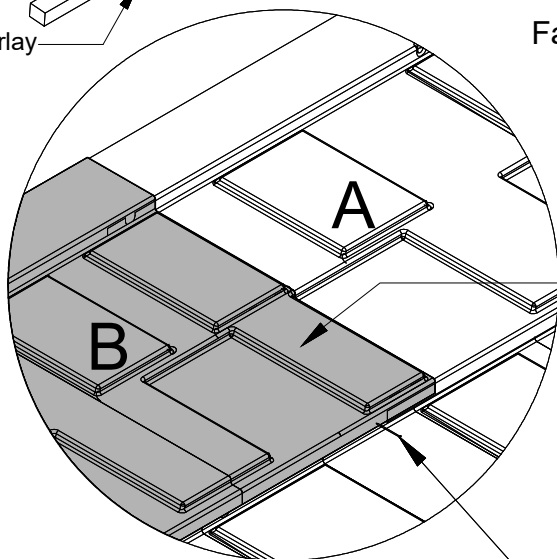
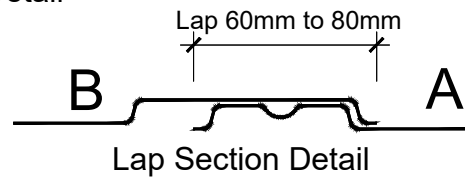
Fastener to penetrate the front face of the batten midway down the tile nose.

Nosing Section Detail

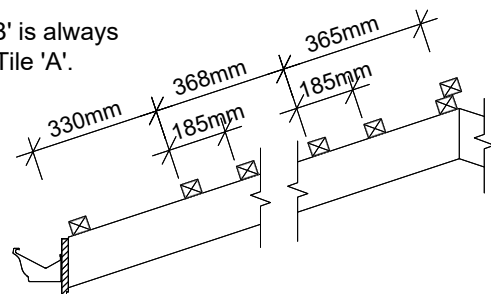


PROFILE	SENATOR
Dimensions (lxw)	1320mm x 410mm
Effective coverage (lxw)	1250mm x 368mm
Profile height	16mm
Weight / tile (kg)	2.9kg textured
Weight / m ² (kg)	6.4kg textured
Tile fastener in wind zones up to and including extra high	4 per tile, as per NZBC Acceptable Solution E2/AS1
Min roof pitch	15°
Roof cover/ tile effective coverage area	0.46m ²

Fastening Detail



Tile 'B' is always over Tile 'A'.



Overlap Detail

Batten Layout