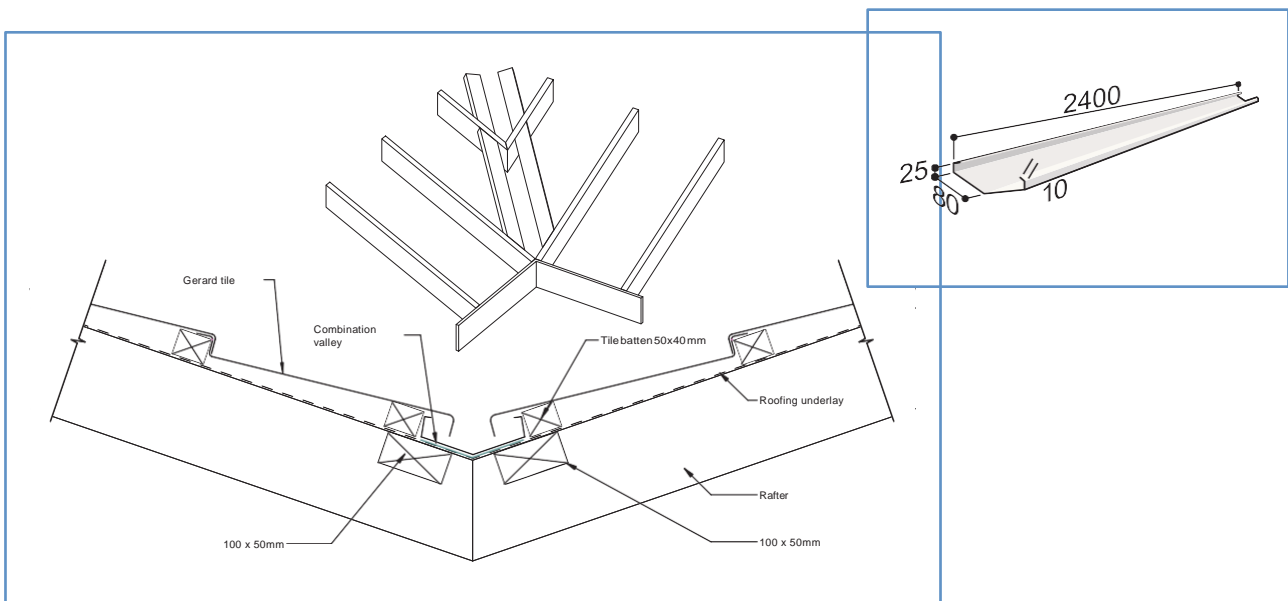


Builders Check List - NZ - 2018

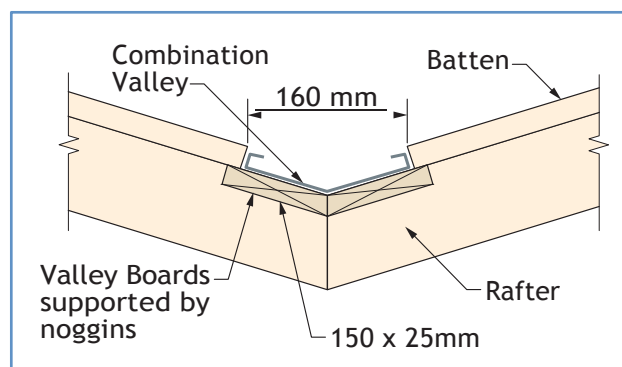
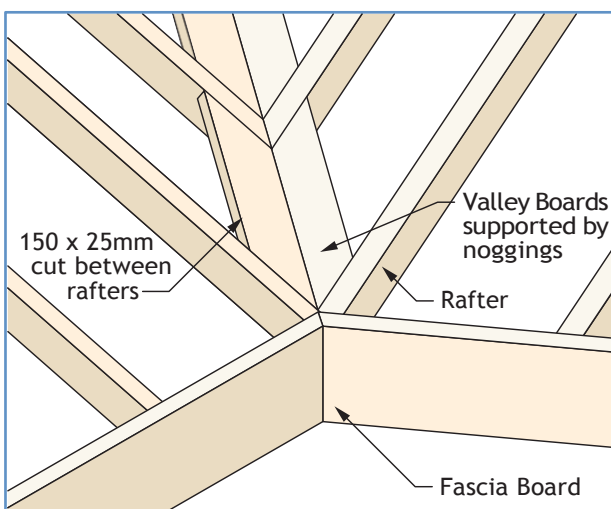
We are pleased to be installing your roof. Please note the following points to assist us all to be more cost effective. We ask that these be attended to before our Installers arrive on site.

Valley Boards

Nogged into rafters, top flush with rafter. Do NOT cut into rafters at any point - they are a structural element.
90 x 45 mm - position as shown in the diagram below.



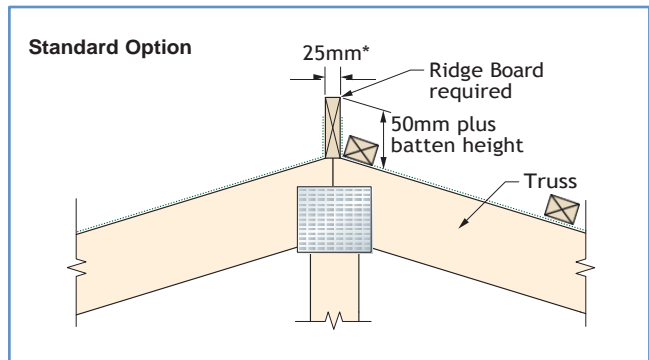
Or 150 x 25 mm - position so that the valley boards touch at the centre.



Ridges and Hips

Standard option - normally 100 x 25 R/S required.
(Heritage smooth/textured only)

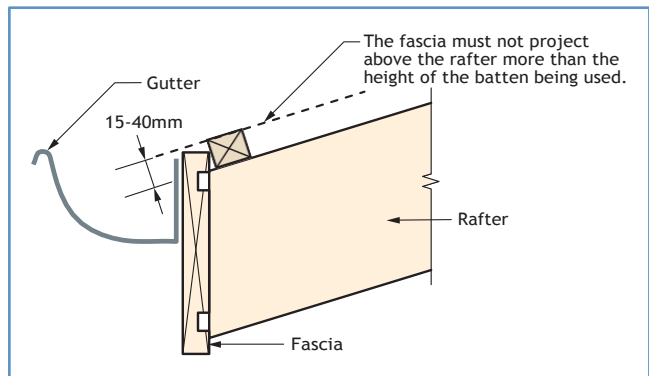
Barrel or Angle trim option - no ridge/hip board required. (Including Heritage, Stratos, Rockport and Milano).



Fascia Boards

Normally fixed 40 mm square above rafter.
Min 15 mm square above rafter top.

50 mm if rafter is over 900 mm centres and min 25 mm over rafter.



Roof Edge Protection

Roof Edge Protection may be required, as per OSH regulations. Please discuss with the Contracting Manager as to requirements for your site if needed.

Stairwells/Atrium

Areas need to be covered or a 'fall arrest system' needs to be erected as per OSH regulations.

Please ensure your builder receives this check list.

For further information please do not hesitate in contacting us.

Name:

Phone:

Name:

Phone:

Contracting managers